



JL DESIGN
 NASHVILLE
 370 HERRON DRIVE
 NASHVILLE, TN
 37210

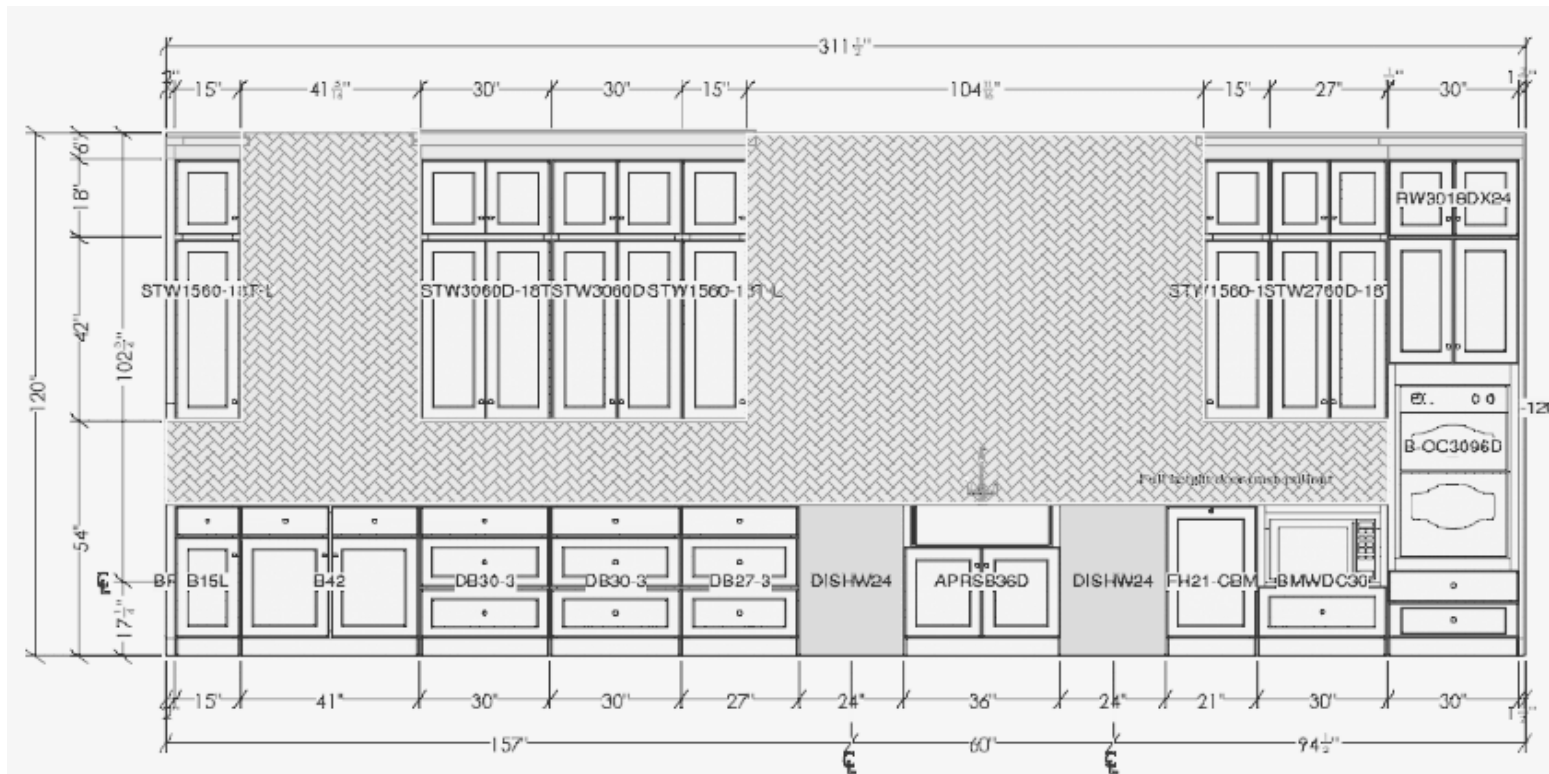
PROJECT NAME:
 STRINGFELLOW

PROJECT ADDRESS:
 1006 HALCYON AVE

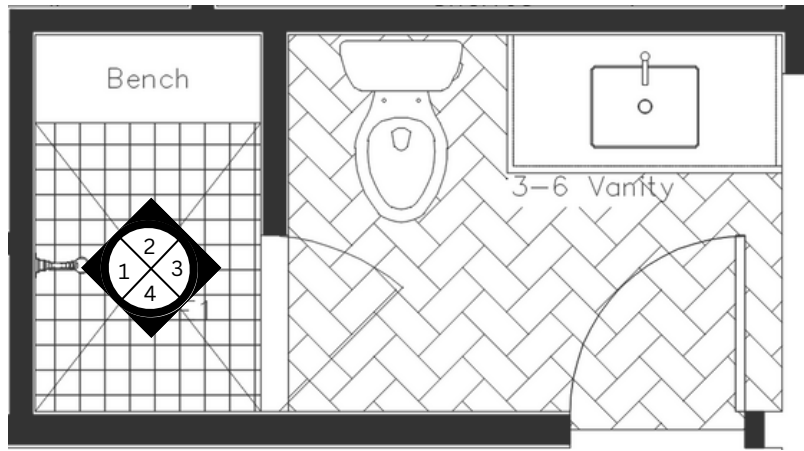
DESIGNER:
 JESSICA DAVIS
 MEAGAN WHALEN

DATE CREATED:
 5/24/23

LAST UPDATED:
 7/6/23



KITCHEN TILE ELEVATION



JL DESIGN
 NASHVILLE
 370 HERRON DRIVE
 NASHVILLE, TN
 37210

BATH 2 TILE PLAN

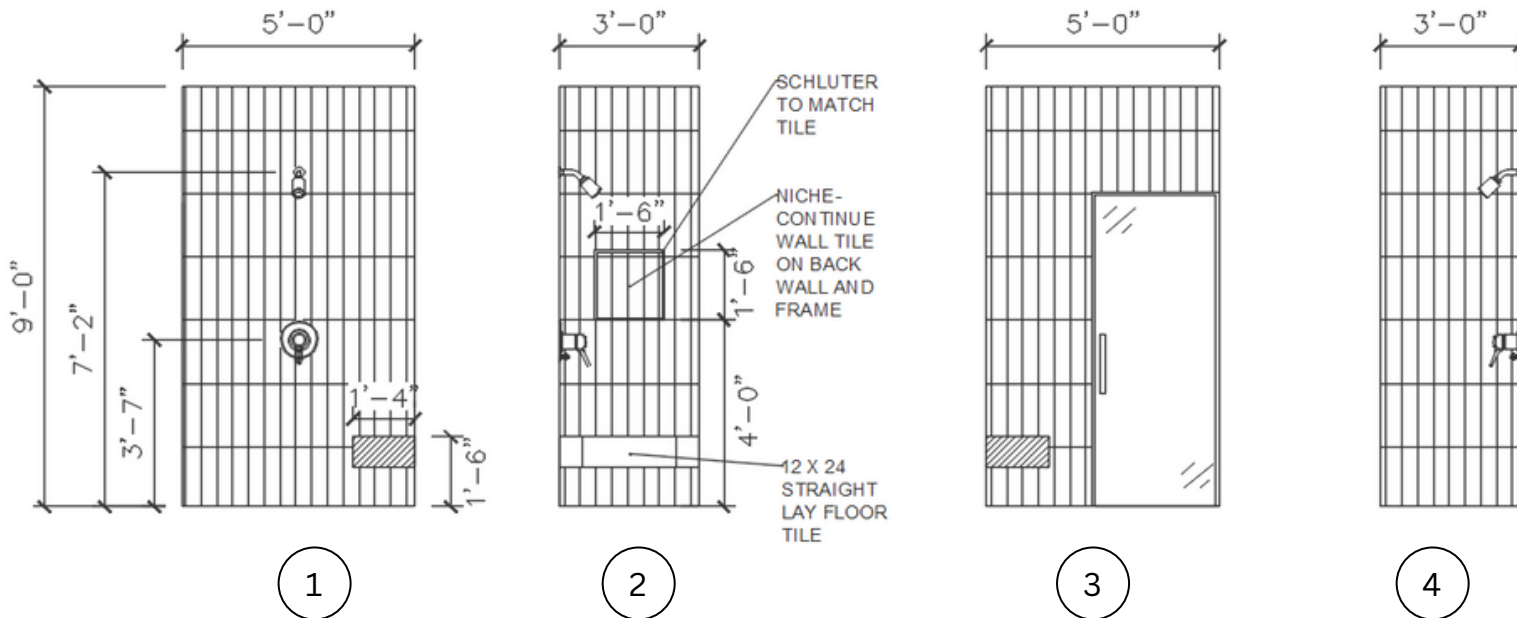
PROJECT NAME:
 STRINGFELLOW

PROJECT ADDRESS:
 1006 HALCYON AVE

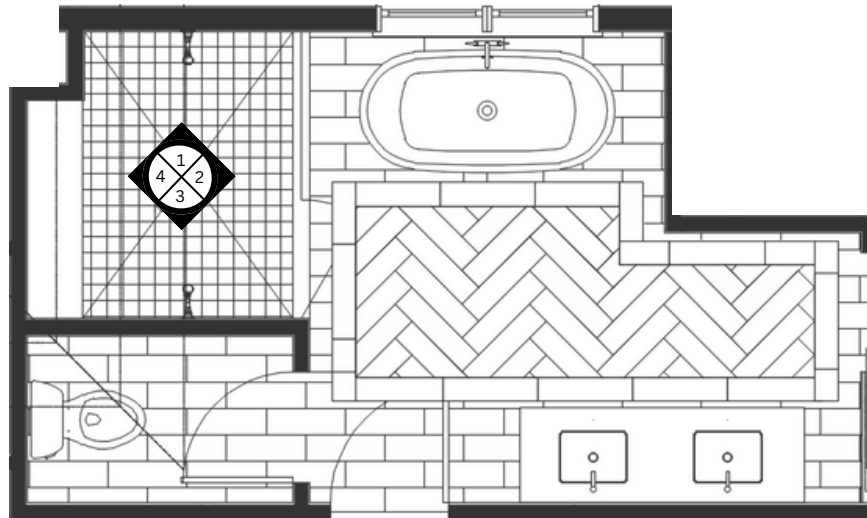
DESIGNER:
 JESSICA DAVIS
 MEAGAN WHALEN

DATE CREATED:
 5/24/23

LAST UPDATED:
 7/6/23



BATH 2 TILE ELEVATIONS



JL DESIGN
 NASHVILLE
 370 HERRON DRIVE
 NASHVILLE, TN
 37210

PRIMARY BATH TILE PLAN

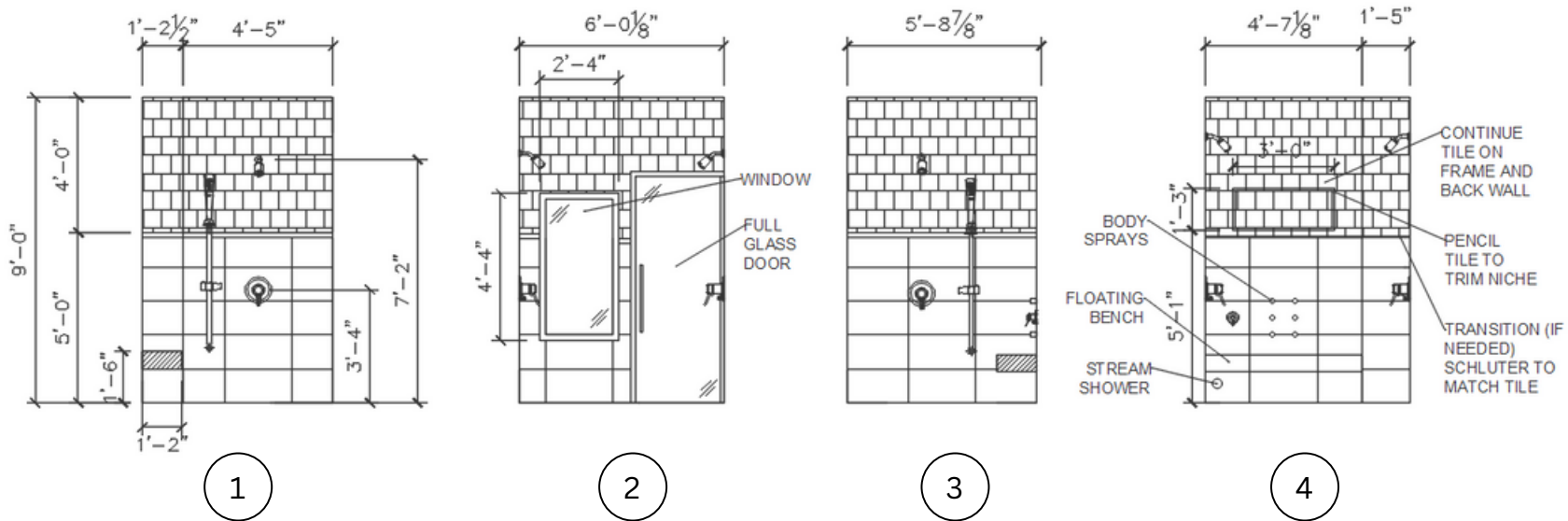
PROJECT NAME:
 STRINGFELLOW

PROJECT ADDRESS:
 1006 HALCYON AVE

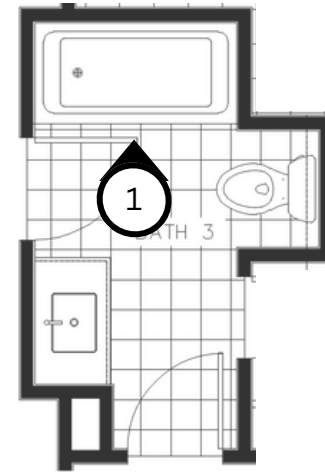
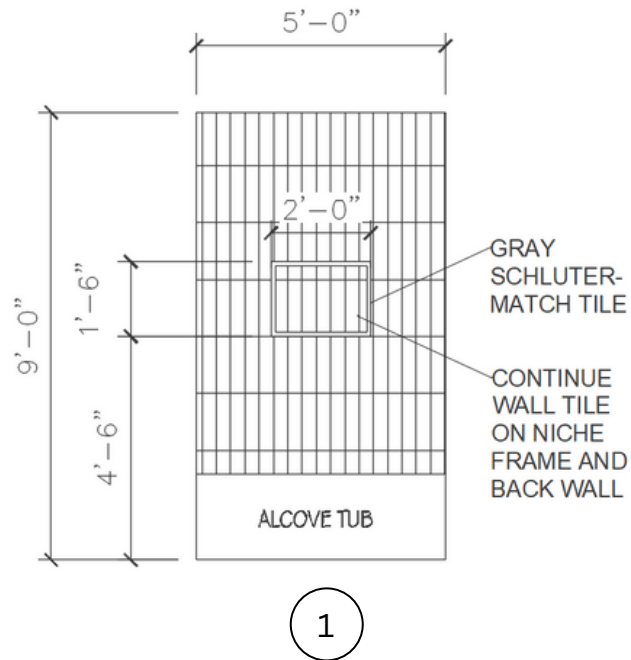
DESIGNER:
 JESSICA DAVIS
 MEAGAN WHALEN

DATE CREATED:
 5/24/23

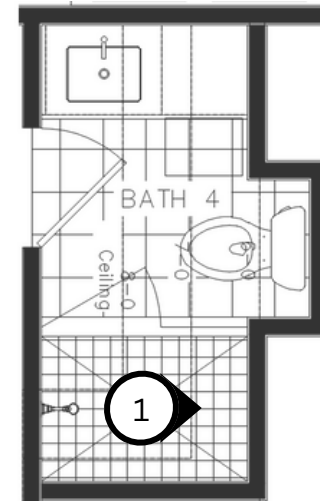
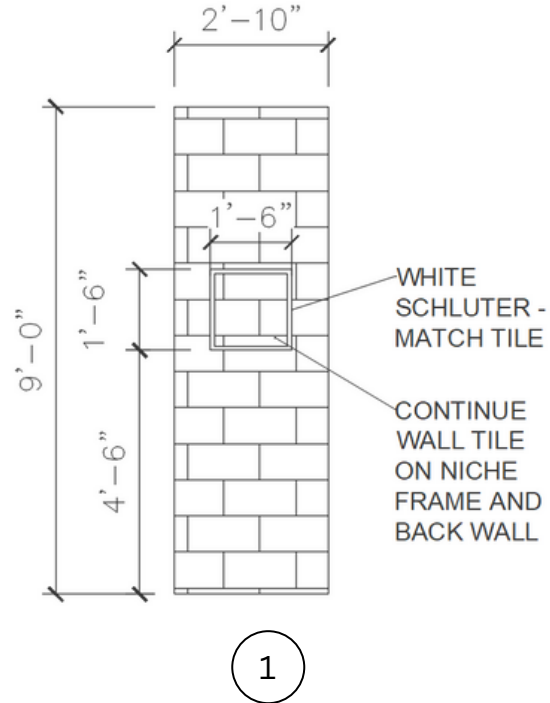
LAST UPDATED:
 7/6/23



PRIMARY BATH TILE ELEVATIONS



BATH 3 SHOWER NICHE ELEVATION



BATH 4 SHOWER NICHE ELEVATION



JL DESIGN
 NASHVILLE
 370 HERRON DRIVE
 NASHVILLE, TN
 37210

PROJECT NAME:
 STRINGFELLOW

PROJECT ADDRESS:
 1006 HALCYON AVE

DESIGNER:
 JESSICA DAVIS
 MEAGAN WHALEN

DATE CREATED:
 5/24/23

LAST UPDATED:
 7/6/23